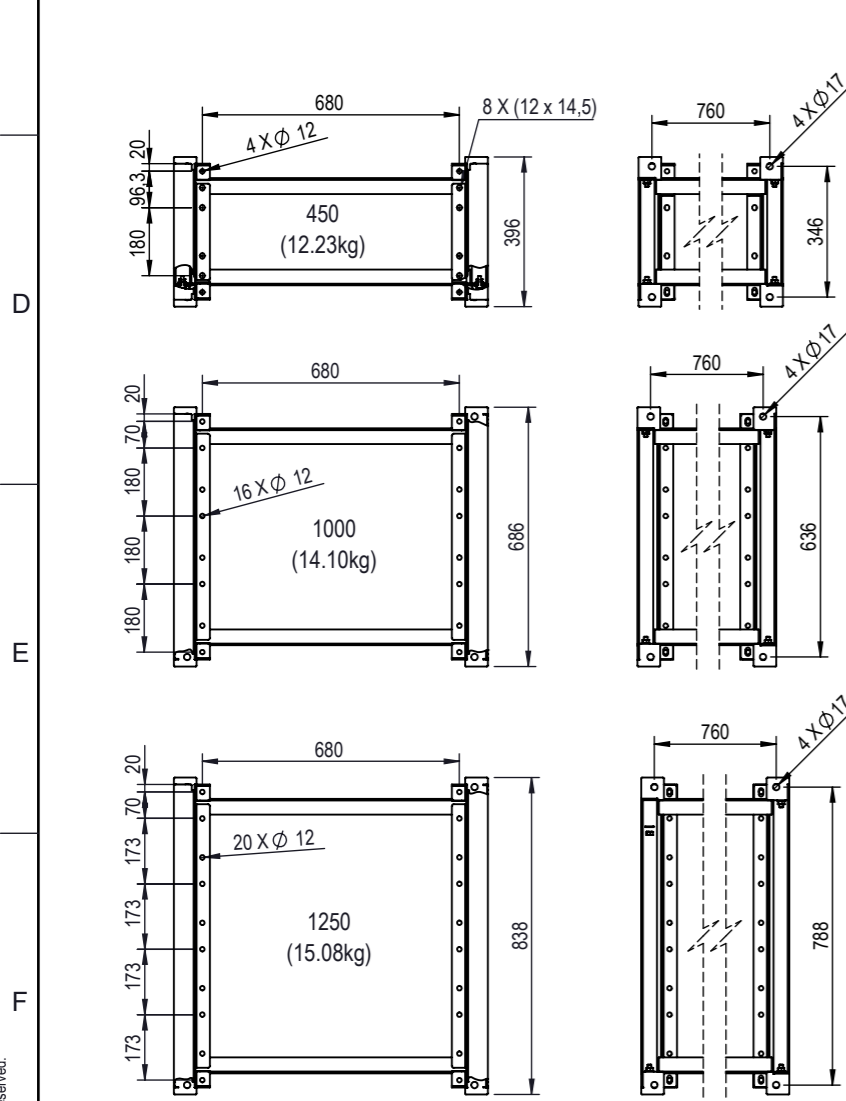
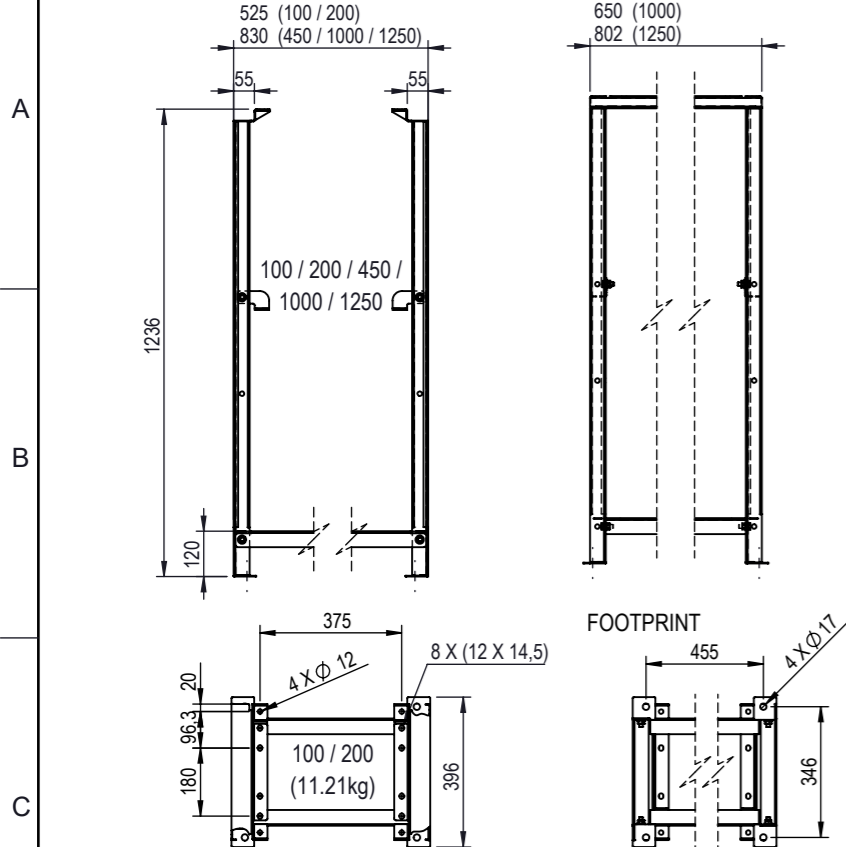
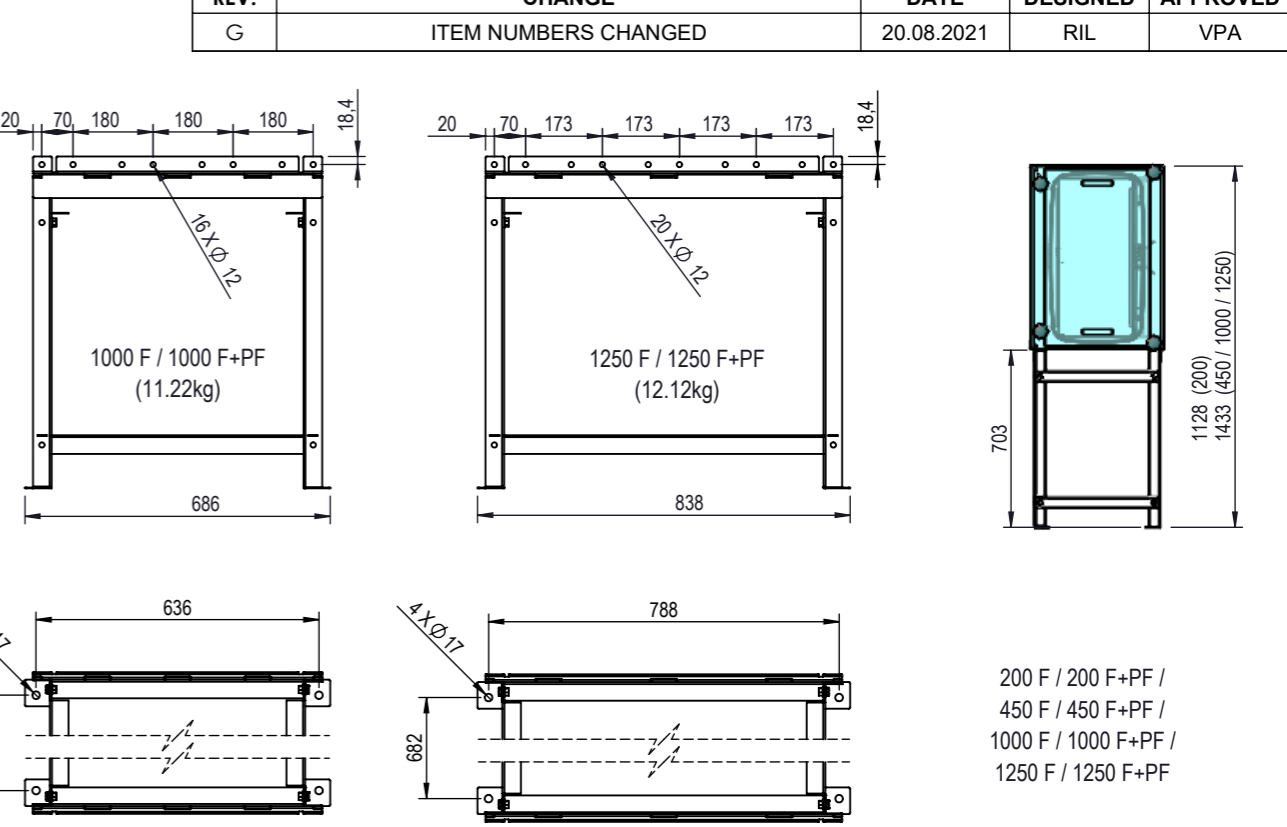
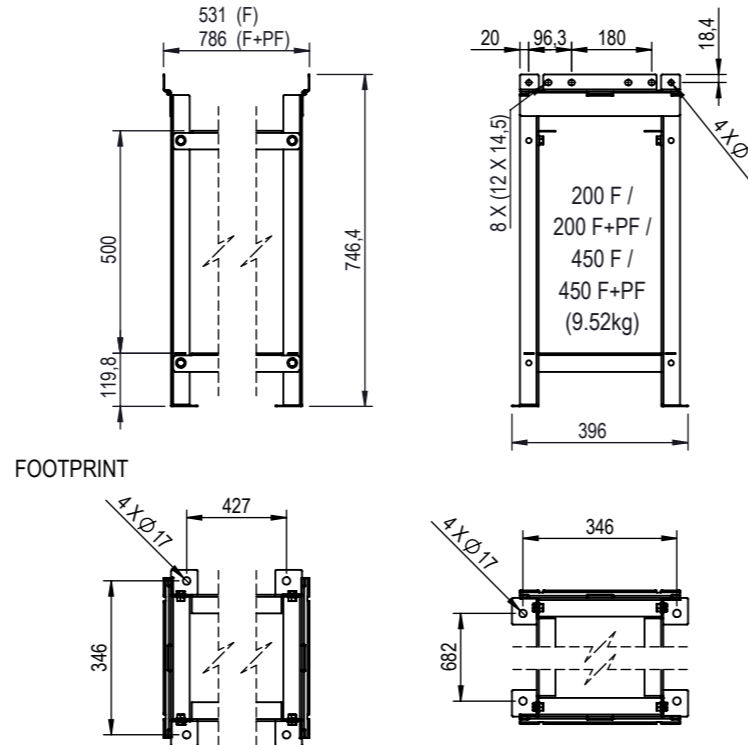


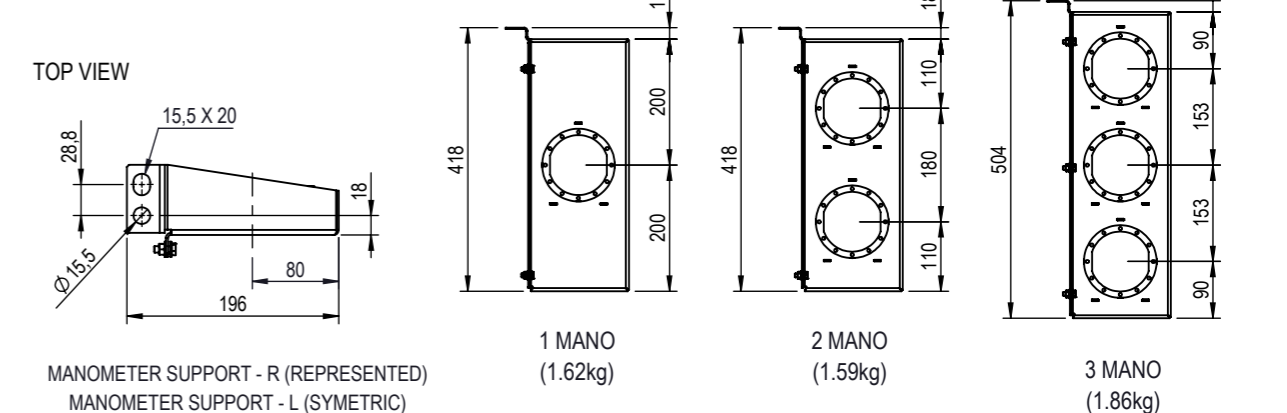
SUPPORT STRUCTURE STD



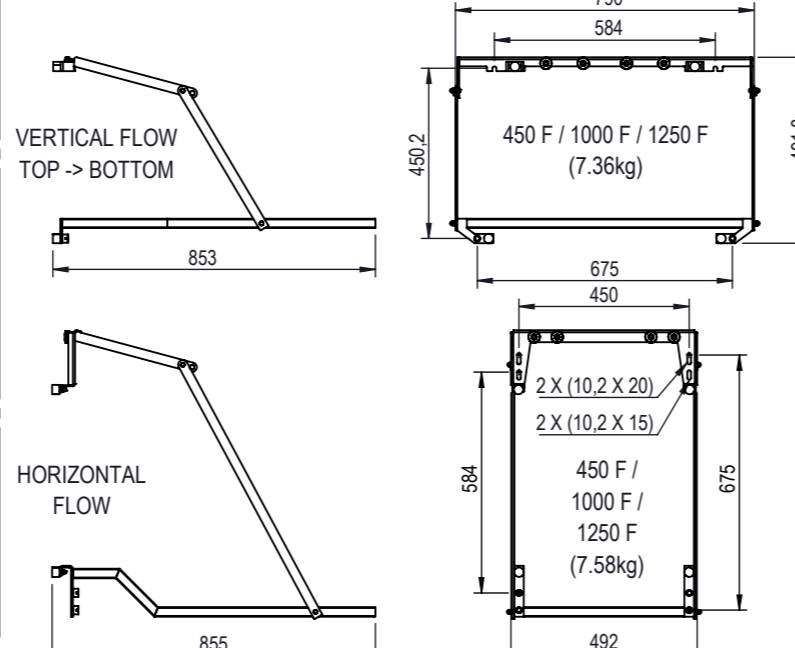
SUPPORT STRUCTURE HORIZONTAL FLOW



MANOMETER SUPPORT



HANDLING CONSOLE



CAMSAFE ACCESSORIES & ADD-ONS												
ADD-ON SUPPORT CS2 STD												
Version	100/3P3 - 200/3P3			450/3P6			1000/6P6			1250/7P6		
Size	100/3P3 - 200/3P3			450/3P6			1000/6P6			1250/7P6		
Drawing	5349-1120-910			5349-1150-910			5349-1100-910			5369-1100-910		
Material / Finish	Painted *	316L *	304L *	Painted *	316L *	304L *	Painted *	316L *	304L *	Painted *	316L *	304L *
Item No.	1072642	1072644	1072643	1068213	1072631	1072630	1072632	1072634	1072633	1068214	1072636	1072635
ADD-ON SUPPORT CS2 HOR												
Version	200/3P3 1F + 450/3P6 1F			200/3P3 PF+1F + 450/3P6 1F+PF			1000/6P6 1F			1000/6P6 1F+PF		
Size	200/3P3 1F + 450/3P6 1F			200/3P3 PF+1F + 450/3P6 1F+PF			1000/6P6 1F			1000/6P6 1F+PF		
Drawing	5349-2150-901			5349-4150-901			5349-2100-901			5349-4100-901		
Material / Finish	Painted *	316L *	304L *	Painted *	316L *	304L *	Painted *	316L *	304L *	Painted *	316L *	304L *
Item No.	1072656	1072658	1072657	1072658	1072657	1072656	1072659	1072661	1072660	1072662	1072664	1072663
Item No. F+PF	1072749	1072751	1072750	1072752	1072751	1072750	1072752	1072754	1072753	1072755	1072757	1072756
MANOMETER SUPPORT R / MANOMETER SUPPORT L												
Version	1 MANO R / 1 MANO L			2 MANO R / 2 MANO L			3 MANO R / 3 MANO L					
Size	1 MANO R / 1 MANO L			2 MANO R / 2 MANO L			3 MANO R / 3 MANO L					
Drawing	5349-0000-924 / 5349-0000-934			5349-0000-924 / 5349-0000-934			5349-0000-924 / 5349-0000-934					
Material / Finish	Painted *	316L *	304L *	Painted *	316L *	304L *	Painted *	316L *	304L *			
Item No. - R	1072637	1072648	1072645	1072638	1072649	1072646	1072639	1072650	1072647			
Item No. - L	1072740	1072741	1072742	1072743	1072744	1072745	1072746	1072747	1072748			
HANDLING CONSOLE												
Version	450/3P6 1F - 1000/6P6 1F - 1250/7P6 1F FOR CS2 STD						450/3P6 1F - 1000/6P6 1F - 1250/7P6 1F FOR CS2 HOR					
Size	450/3P6 1F - 1000/6P6 1F - 1250/7P6 1F FOR CS2 STD						450/3P6 1F - 1000/6P6 1F - 1250/7P6 1F FOR CS2 HOR					
Drawing	5349-1100-920						5349-1100-921					
Material / Finish	EN10025-2 - S235JR(G2) (1.0038) / Cataphoresis 14µm <1< 24µm						EN10025-2 - S235JR(G2) (1.0038) / Cataphoresis 14µm <1< 24µm					
Item No.	1072758						1072759					
Material	Painted *			316L *			316L *			304L *		
Finish	SHEETMETAL - EN10025-2 - S235JR(G2) (1.0038)			SHEETMETAL 316L - EN10088-2 - X2CrNiMo17-12-2 (1.4404)			SHEETMETAL 304L - EN10088-2 - X2CrNi18-09 (1.4307)			Pickled & Glass Blasted SPEC026		

General tolerances ISO 2768 - vL unless otherwise specified

DIMENSION	TOLERANCE
< 30	± 1
> 30 to 120	± 1,5
> 120 to 400	± 2,5
> 400 to 1000	± 4
> 1000 to 4000	± 6
> 4000	± 8
Break sharp angles 0,5 to 2	

camfil
European Metal Center

DESCRIPTION
CamSafe CS2 Accessories & Add-Ons STD Scope

PROJECT	LAST REVISION	WEIGHT	SCALE
-	20.08.2021	see drawing	
DRAWING REF.	SHEET	SIZE	SCALE
5349-0000-105	1/1	A3	1:20

NB: The copyright of this drawing remains with Camfil. Contents must not be used, copied or disclosed to third parties without prior written consent. All rights reserved.